

HEAT SEALING

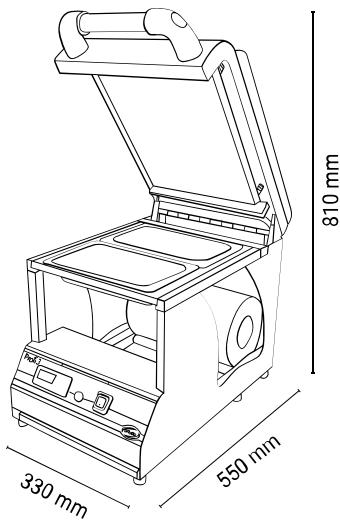
Profi 3

The largest thermo-sealing machine for food and trays in the line can adopt trays of various sizes up to the maximum size of half a gastronorm.

Interchangeable moulds, which can be designed according to the trays used, can be single or multi-hole. You also have the option of adopting multi-section trays, which can also be designed according to your needs.



Technical specifications



IT CAN PACK:

Liquids

Solids

Delicate foods

BODYWORK
Stainless steel

DIMENSIONS
330x590x410h mm

WEIGHT
23,5 kg

VOLTAGE
220-240V / 50-60Hz - 1650W

MAX ABSORBED POWER
1650 W

STANDARD SHELVES
4x 120x165 mm - 2x 260x160 mm - 1x 260x325 mm

INSTALLATION
counter top

Details



Film Cutting Blade



COMPACT DESIGN



Uniform sealing

Kits

ON REQUEST



Customize mould



Custom moulds