

Idea 42 Hi-Line



Touch panel



Maximum usability



Smart sensor

The IDEA you were waiting for has now become reality!

New 5" Touch Smart interface, just one touch to scroll through screens, select a Chef program or set custom parameters. You've got the power: set parameters without limits, choose the vacuum level you prefer, the rest will be done by Idea Hi-Line.

Idea 42 Hi-Line è ideale per:



Restaurants



Pastry shop



Butchers' shops



Pastry shops s



Cafés

Packing methods



Sealing only



Vacuum



External vacuum



ATM



Touch panel

5" waterproof and scratch-resistant touch control panel



Easy vacuum

It is possible to vacuum pack outside the vacuum chamber



Printer connection

Idea Hi-Line can be connected to the Zebra ZD410 printer for HACCP compliance



Gas vacuum

Vacuum packs even the most delicate and soft products

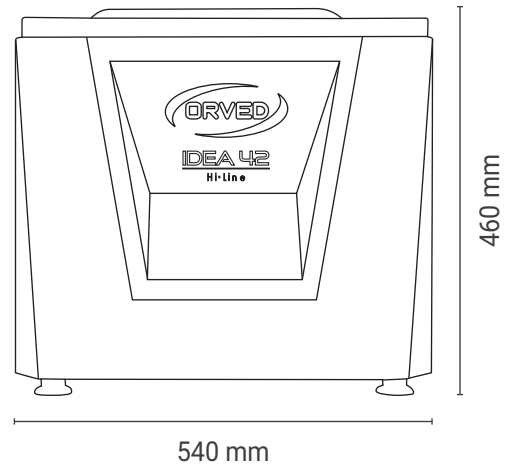


POWER-STEEL vacuum chamber

Hydroformed vacuum chamber made in a single piece without weldings and rounded corners

Technical data sheets

- > Bodywork: stainless steel
- > Size: 540x612x460h mm
- > Chamber size: 441x449x170h mm
- > Weight: 62 kg
- > Power grid voltage: 230V 50/60Hz
- > Max power absorption: DVP 900 W BUSH 1200 W
- > Sealing bars: 410 mm
- > Vacuum pump: 20 mc/h
- > Max bag size: 400 mm



Standard equipment

- | | | | | |
|------------------|---------------|-----------------|------------------|----------------------------|
| Digital panel | Vacuum sensor | Chef programmes | Degas programmes | Customisable programmes |
| Gas vacuum (MAP) | H2out | Softair | Easy included | Vacuum in rigid containers |

Optional on request

- ZEBRA ZD410 printer

Matching accessories

- | | | | | | | | |
|--------------------|------------------------|---------------------|------------------------|----------|----------------------|-----------------------------|------------------------------------|
| | | | | | | | |
| Smooth vacuum bags | Channelled vacuum bags | Cooking vacuum bags | Cook&Chill vacuum bags | Carriage | Conserbox containers | Tubo di aspirazione esterna | Inclined shelf for liquid products |