

# VM 98



Strong



Compact dimensions



Rapid vacuum

## Patented for packaging products in smooth bags

Ideal for the packaging of small and medium sized solid products, VM 98 is characterized by the structure completely made of stainless steel and a self-lubricating pump that does not require oil for operation, ensuring high levels of vacuum and performance. Its special retractable probe, patented by Orved, allows the machine to pack products with the use of smooth bags. VM98 is equipped with a stainless steel shelf that allows the machine to facilitate the support of the bag during the packaging cycle, ensuring the operator maximum ease in packaging operations. Recommended for those who need to pack sharp or pointed products, in smooth envelopes thanks to thicknesses that can avoid any punctures.

### VM 98 is ideal for:



Domestic kitchens



Bar



Grocery stores

### Packing methods



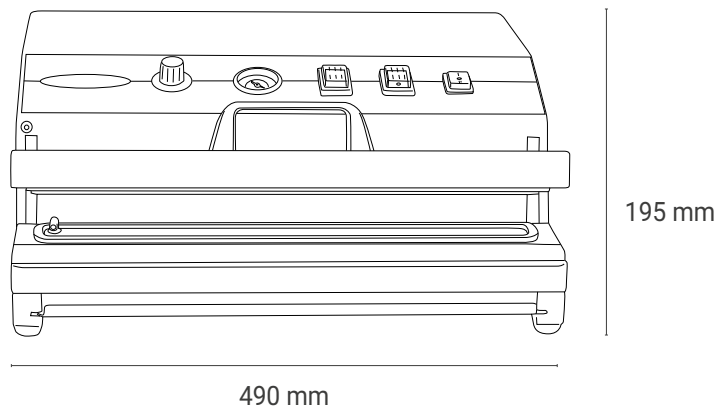
Sealing only



Vacuum

### Technical data

- > Bodywork: stainless steel
- > Size: 490x415x195h mm
- > Vacuum pump: 30 lt/min self-lubricating
- > Sealing bars: 420 mm
- > Weight: 20 kg
- > Max power absorption: 1000 W
- > Power grid voltage: 230V 50/60Hz



### Standard equipment



Device to operate vacuum in container



Automatic + Manual system

### Optionals on request



Suction tube

### Matching accessories



Smooth vacuum bags



Smooth cooking vacuum bags



Channelled vacuum bags



Channelled cooking vacuum bags



Conserbox containers