

NEW VACUUM



Strong



Compact dimensions



Rapid vacuum

To make your vacuum packaging even easier!

It is characterized by a completely stainless steel structure and a self-lubricating pump that requires no oil for operation, ensuring high levels of vacuum and performance. Equipped with a stainless steel shelf to facilitate the support of the bag in vacuum phase, it perfectly preserves packaging solid products in bags and liquids in containers Conserbox. Thanks to its compact size, construction materials and double gasket in the suction chamber, new vacuum guarantees a perfect vacuum, even in the presence of large-sized or sized products.

New Vacuum is ideal for:



Domestic kitchens



Bar



Grocery stores

Packing methods



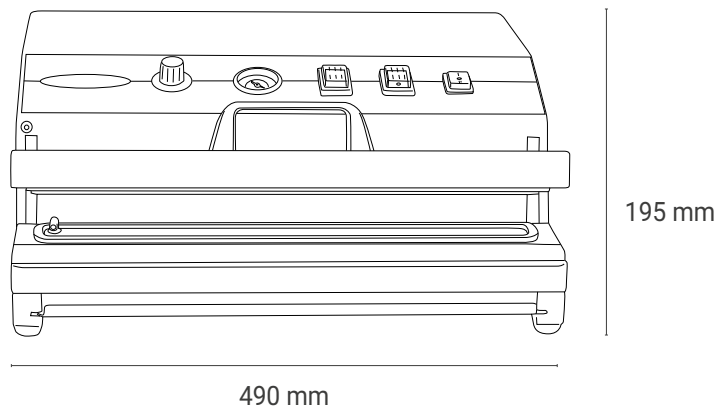
Sealing only



Vacuum

Technical data

- > Bodywork: stainless steel
- > Size: 490x415x195h mm
- > Vacuum pump: 30 lt/min self-lubricating
- > Sealing bars: 420 mm
- > Weight: 20 kg
- > Max power absorption: 1000 W
- > Power grid voltage: 230V 50/60Hz



Standard equipment



Device to operate vacuum in container



Automatic + Manual system

Optionals on request



Suction tube

Matching accessories



Channelled vacuum bags



Channelled cooking vacuum bags



Conserbox containers