

Idea 41



10 editable programs



Sequential vacuum



Smart sensor

Adaptable and complete

A line of chamber packing machines made entirely of stainless steel, including the complete outer body and vacuum chamber. They are characterized by a fully automatic packaging cycle and a digital control panel equipped with a microprocessor and 10 independent programs.

Idea 41 is ideal for:



Restaurants



Pastry shop



Butchers' shops



Pastry shops



Cafés

Packing methods



Sealing only



Vacuum



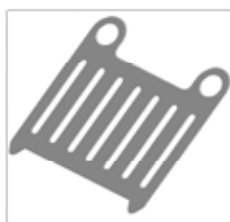
External vacuum



ATM



Accessibility
Opening system with support rod



Easy vacuum
It is possible to vacuum pack outside the vacuum chamber



Hard-wearing vacuum chamber
Made in a single piece without weldings and rounded corners



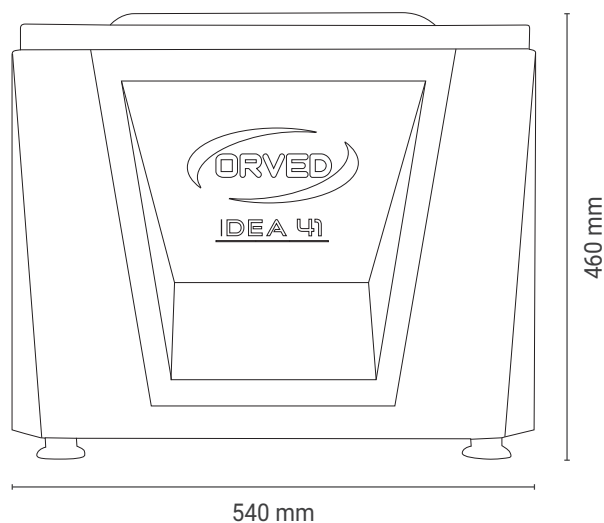
Gas vacuum
It vacuum packs even the most delicate and soft products



Digital panel
5" waterproof and scratch-resistant digital control panel

Technical data sheets

- > Bodywork: stainless steel
- > Size: 540x612x460h mm
- > Chamber size: 441x449x170h mm
- > Weight: 62 Kg
- > Power grid voltage: 230V 50/60Hz
- > Max power absorption: DVP 900W
BUSCH 1200W
- > Sealing bars: 410 mm
- > Vacuum pump: 20 mc/h
- > Max bag size: 400 mm



Standard equipment



Digital panel



Vacuum sensor



Degas programmes



Customisable programmes



Gas vacuum (MAP)



H₂out



Easy included



Vacuum in rigid containers

Accessori abbinabili



Smooth vacuum bags



Channelled vacuum bags



Cooking vacuum bags



Cook&Chill vacuum bags



Carriage



Conserbox containers



Tubo di aspirazione esterna



Inclined shelf for liquid products